

**Cod. 0041265**

**VRLA BATTERY AGM TECHNOLOGY**

Revision 1.0

**Specifications**

**Nominal Voltage (V)** 12V

**Nominal Capacity**

20 hour rate	(3.40A to 10.50V)	<b>68Ah</b>
10 hour rate	(6.54A to 10.50V)	<b>65.4Ah</b>
5 hour rate	(11.5A to 10.50V)	<b>57.5Ah</b>
1 C	(68.5A to 10.50V)	<b>34.3Ah</b>

**Weight** Approx. 20.9kg (45.98 Lbs.)

**Internal Resistance (at 1KHz)** Approx. 7 mΩ

**Maximum Discharge Current for**

**5 seconds:** 780A

**Charging Methods at 25°C (77°F)**

**Cycle use:**

Charging Voltage 14.4 to 15.0V  
Coefficient -5.0mv/°C/cell  
Maximum Charging Current: 18A

**Standby use:**

Float Charging Voltage 13.50 to 13.80V  
Coefficient -3.0mv/°C/cell

**Operating Temperature Range**

Charge -15°C (5°F) to 40 °C (104°F)  
Discharge -15°C (5°F) to 50 °C (122°F)  
Storage -15°C (5°F) to 40 °C (104°F)

**Charge Retention (shelf life) at 20°C (68°F)**

1 month	<b>92%</b>
3 month	<b>90%</b>
6 month	<b>80%</b>

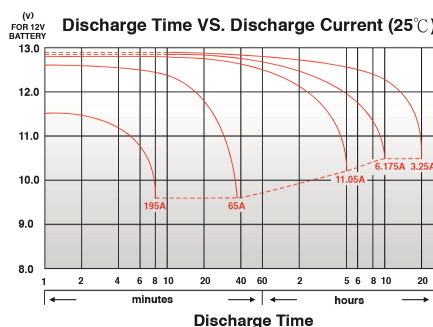
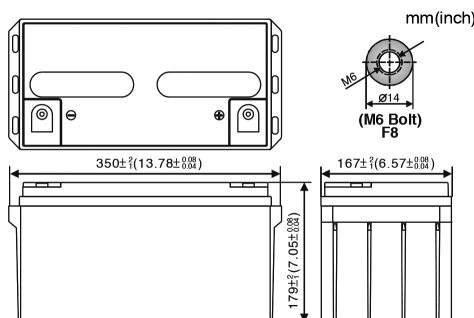
**Case Material ABS UL94HB**

(Option: ABS UL94 V-0 flame retardant)

**Terminal** FM6

**ENERGY SAFE**

**Dimensions mm (inch)**

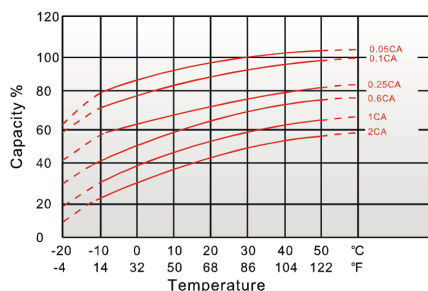


**Cod. 0041265**

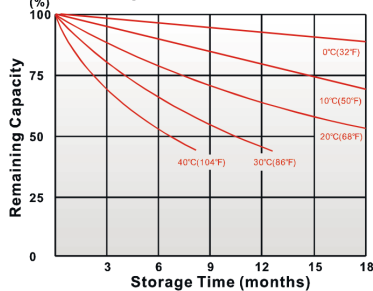
**VRLA BATTERY AGM TECHNOLOGY**

Revision 1.0

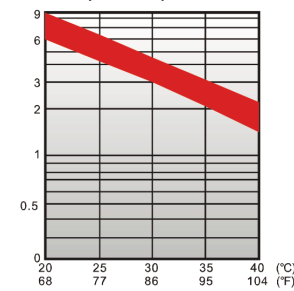
Effect of Temperature on Capacity 25°C(77°F)



Capacity Retention Characteristic



Trickle (or float) Service Life



PERFORMANCE DATA

Discharge Rates in Watts to Various End Voltages at 25°C (77°F)

Time	End Voltage	1.85V	1.80V	1.75V	1.70V	1.67V	1.65V	1.60V
5	m in	249	275	320	371	380	396	432
10	m in	203	230	251	274	282	290	309
15	m in	170	190	207	215	218	224	231
20	m in	150	158	171	173	180	185	193
30	m in	113	124	134	138	141	143	148
60	m in	72.5	76.5	82.3	83.7	84.0	84.3	85.0
90	m in	58.3	60.2	61.5	62.0	62.3	62.5	62.8
120	m in	45.7	48.0	49.0	49.5	49.7	49.8	50.0
180	m in	32.4	33.5	34.0	34.3	34.5	34.7	35.0
240	m in	26.0	27.2	27.5	27.7	27.8	28.0	28.2
300	m in	21.7	22.6	23.1	23.2	23.3	23.4	23.4
480	m in	14.9	15.5	15.8	15.9	16.0	16.0	16.0
600	m in	12.5	12.9	13.2	13.2	13.3	13.3	13.3
1200	m in	6.54	6.76	6.86	6.87	6.89	6.91	6.94

Discharge Rates in Amperes to Various End Voltages at 25°C (77°F)

Time	End Voltage	1.85V	1.80V	1.75V	1.70V	1.67V	1.65V	1.60V
5	m in	137	151	177	208	213	224	245
10	m in	102	123	135	149	154	158	169
15	m in	91.0	100	109	116	119	122	129
20	m in	61.4	82.5	89.3	92.5	94.0	96.5	101
30	m in	50.7	63.6	68.5	71.5	73.4	74.7	77.2
60	m in	36.6	38.5	41.5	42.5	43.0	43.6	44.2
90	m in	29.5	31.1	31.8	32.2	32.8	33.0	33.4
120	m in	23.1	24.3	24.8	25.0	25.3	25.5	25.8
180	m in	16.2	17.0	17.3	17.5	17.7	17.8	18.0
240	m in	13.0	13.6	13.8	13.9	14.0	14.1	14.2
300	m in	10.8	11.3	11.5	11.6	11.7	11.8	11.9
480	m in	7.43	7.73	7.87	7.92	7.94	7.96	7.98
600	m in	6.19	6.43	6.54	6.58	6.60	6.61	6.63
1200	m in	3.24	3.35	3.40	3.41	3.42	3.43	3.44

All data on the spec. sheet is an average value:

The tolerance range :  $X < 6min (+15\% \sim -15\%)$ ,  $6min \leq X < 10min (+12\% \sim -12\%)$ ,  $10min \leq X < 60min (+8\% \sim -8\%)$ ,  $X \geq 60min (+5\% \sim -5\%)$